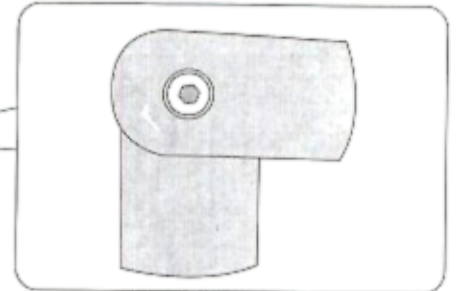
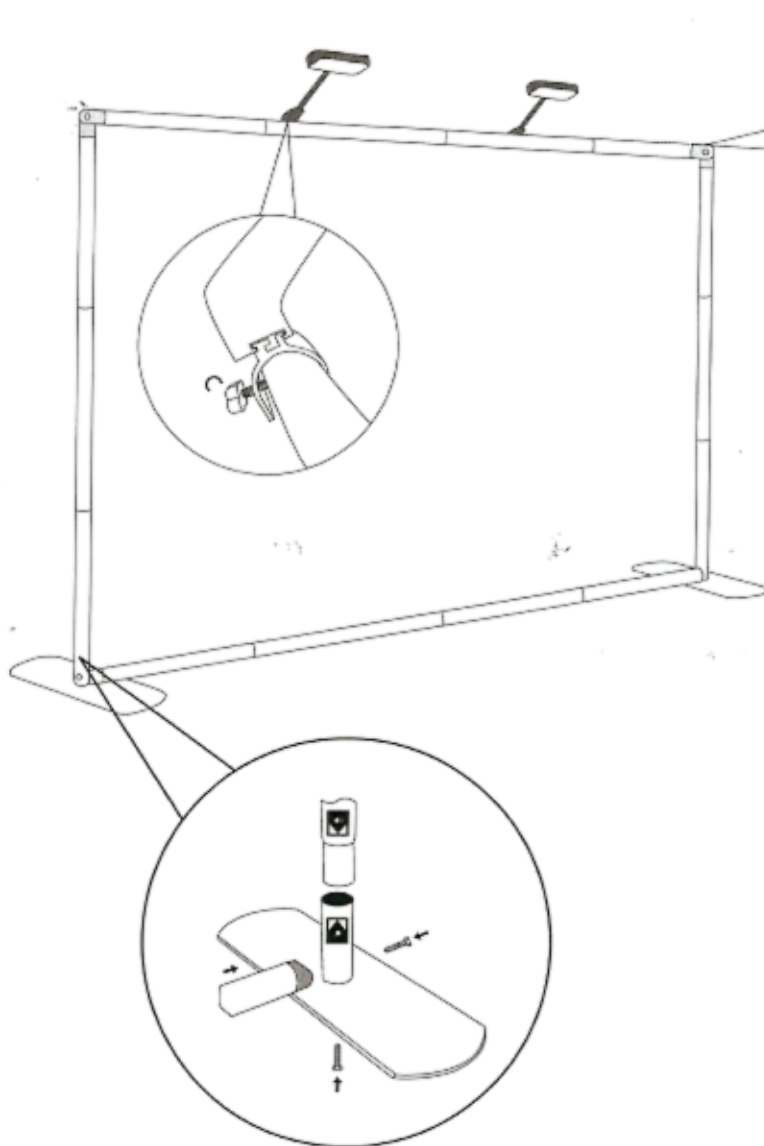


INSTALLATION STEPS

3D-102

Modern appearance, stable quality, practicability & multiformity
Package and spotlight are available as accessories

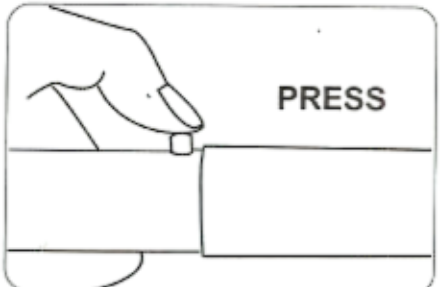


Tighten the screws using the inner hexagon spanner

CONNECT

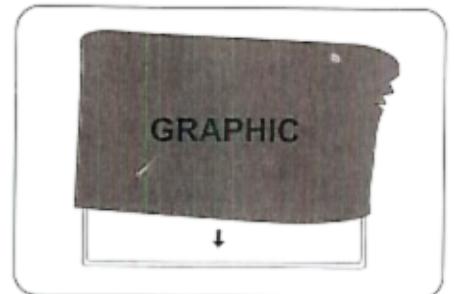


PRESS



If can't snap when dismantle the frame, Pls push the tube forwardly, then push again.

GRAPHIC



Optional accessories :



C-D8-1
Voltage: 110V/220V
CE certified. Fit on all models.
Color: Silver



CAUTION:
PLEASE READ THE INSTRUCTIONS BEFORE INSTALLING PRODUCTS

Our products keep upgrading. Rights to change parts reserved.